

Technical data sheet

Product features



Oven electric GN 2/1 static

Model	SAP Code	00013599
--------------	-----------------	----------



– Device type: Electric unit

SAP Code	00013599	Power electric [kW]	6.700
Net Width [mm]	800	Loading	400 V / 3N - 50 Hz
Net Depth [mm]	855	Width of internal part [mm]	670
Net Height [mm]	480	Depth of internal part [mm]	730
Net Weight [kg]	35.00	Height of internal part [mm]	340

Technical data sheet

Technical drawing

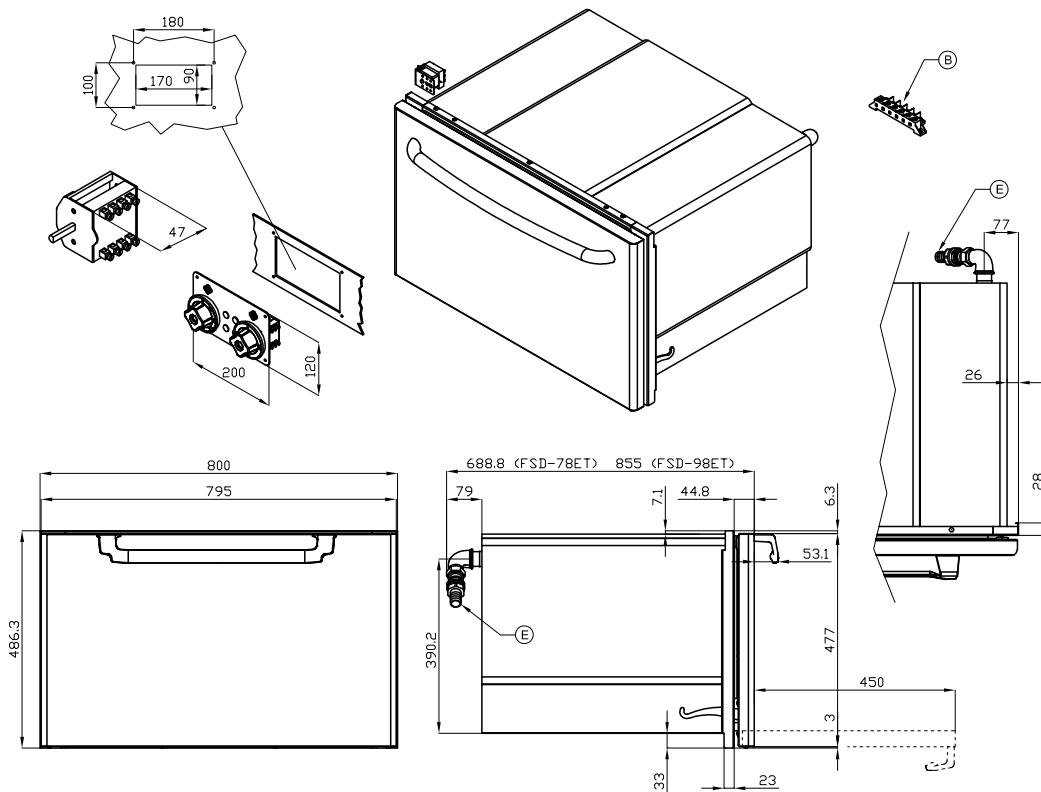


Oven electric GN 2/1 static

Model

SAP Code

00013599



A	Data plate		B	Electrical connection	
E	Water drainage	Ø25mm			

Technical data sheet

Technical parameters



Oven electric GN 2/1 static

Model

SAP Code

00013599

1. SAP Code:

00013599

2. Net Width [mm]:

800

3. Net Depth [mm]:

855

4. Net Height [mm]:

480

5. Net Weight [kg]:

35.00

6. Gross Width [mm]:

830

7. Gross depth [mm]:

970

8. Gross Height [mm]:

770

9. Gross Weight [kg]:

45.00

10. Device type:

Electric unit

11. Construction type of device:

Drop-in

12. Power electric [kW]:

6.700

13. Loading:

400 V / 3N - 50 Hz

14. Device heating type:

Static baking

15. Additional information:

grate: 650 x 710 GN2/1

16. Oven Type:

electrical static

17. Oven size:

GN 2/1

18. Width of internal part [mm]:

670

19. Depth of internal part [mm]:

730

20. Height of internal part [mm]:

340